

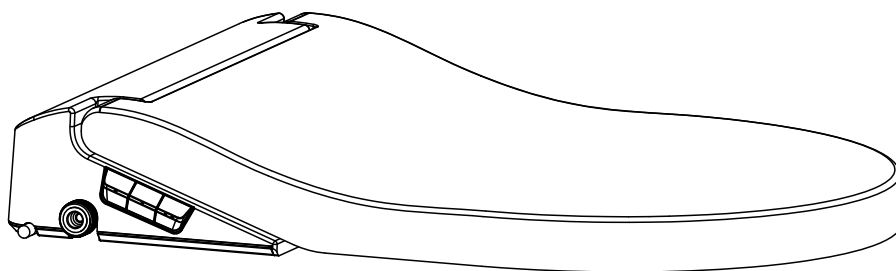
USER MANUAL



Thank you for choosing Better Bathrooms.
Please read this manual before installing your product
and keep for future reference.

better 
bathrooms

INTELLIGENT BIDET SEAT



E580HSEAT

- REMOTE CONTROL
- IPX4 INGRESS PROTECTION
- REAR AND FRONT WASH

V20260319E

CONTENTS

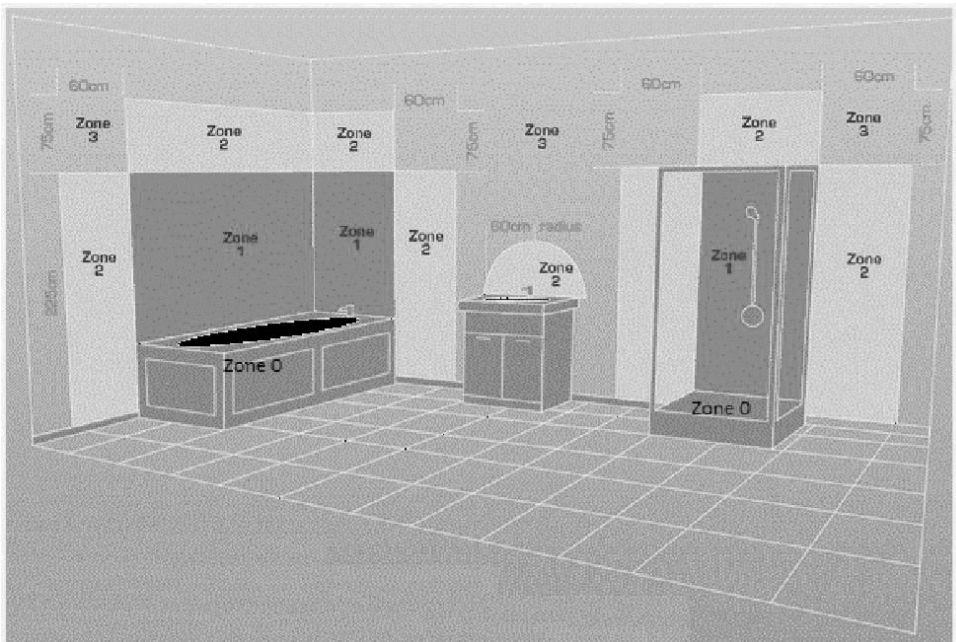
SAFETY INFORMATION	3
BATHROOM ZONES	4
INSTALLATION DIAGRAMS - SEAT	5
INSTALLATION DIAGRAMS - BIDET	6
PARTS LIST	7
TOOLS REQUIRED	7
PRODUCT OVERVIEW	8
INSTALLATION INSTRUCTIONS	9
INSTALLATION OF THE REMOTE HOLDER	15
REMOTE CONTROL	16
FITTING/REPLACING BATTERIES	17
OPERATION	17
DESCALING THE DEVICE	21
CLEANING AND MAINTENANCE	22
RELEASE AND INSTALL THE TOILET LID	23
FACTORY RESET	24
CLEANING THE NOZZLE	25
DRAINING THE WATER TANK	25
REPLACING THE FILTER	26
LED FAULT INDICATION	27
TROUBLESHOOTING	28
BATTERY WARNING	31
SUPPORT	32
TECHNICAL SPECIFICATIONS	33

SAFETY INFORMATION

- This manual must be read and fully understood before installing or using the appliance.
- This product must not be operated without a connected water supply.
- Installation must be in accordance with all relevant local regulations applicable at the time of installation.
- It must be installed by a qualified professional in accordance with BS 7671.
- If electrical work is carried out within the bathroom which involves addition or alteration of existing circuits, it may be notifiable to your local building control department (Part P). If unsure, professional advice should be sought.
- The bidet must be fitted in accordance with the Water Supply (Water Fittings) Regulations and Water Supply (Water Fittings) (Scotland) Byelaws.
- If the power cable or RCD are damaged in any way, the power must be disconnected until the part is replaced. Contact the retailer or manufacturer.
- The means for disconnection must be incorporated into the fixed wiring in accordance with local wiring regulations.
- If the supply cord is damaged, it must be replaced by the manufacturer, its service agent or similarly qualified persons in order to avoid a hazard.
- The bidet is intended to be permanently connected to the water mains.
- The bidet must be fitted in a well-ventilated bathroom.
- The bidet must not be sprayed with liquid, or placed in a position it is likely to be sprayed.
- The bidet must not be installed in a location where it may be subject to high temperatures.
- The bidet must be stored in an upright position before installation.
- Do not over bend or kink the water supply hose as this could cause leaks
- Only use this product for its intended use. Only use attachments recommended by the manufacturer.
- Do not use this product in an outdoor environment.
- This appliance can be used by children below 3 years but require constant observation by an adult in the immediate proximity of the child. This appliance can be used by children aged from 3 years and above and persons with reduced physical, sensory or mental capabilities or lack of experience and knowledge if they have been given supervision or instruction concerning use of the appliance in a safe way and understand the hazards involved. Children shall not play with the appliance. Cleaning and user maintenance shall not be made by children without supervision.
- Do not climb or stand on the bidet.
- Children should be supervised to ensure that they do not play with the appliance.
- If the product is not working properly, disconnect from the mains and close the water supply valve immediately before contacting the supplier or a qualified professional.
- This is a Class I electrical appliance and must be correctly earthed. Make sure the earth cable is connected first during the electrical connection.
- In case of any damage to the supply cable, you must arrange for a certified and qualified electrician to replace the cable for you.

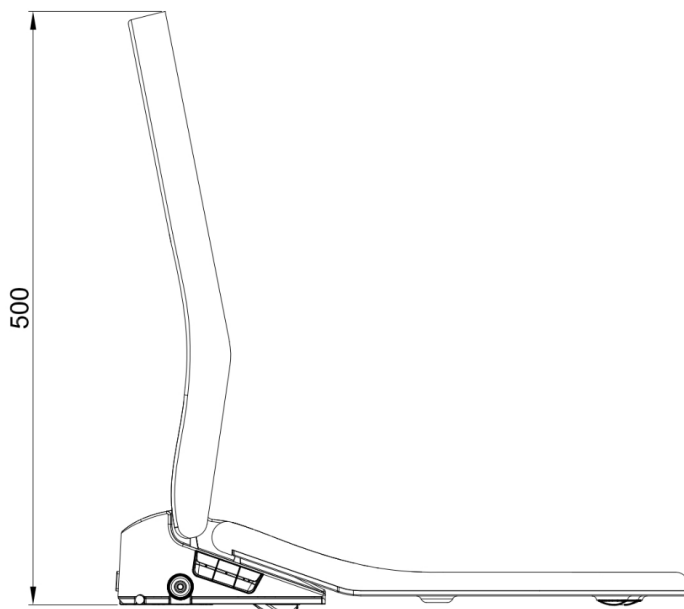
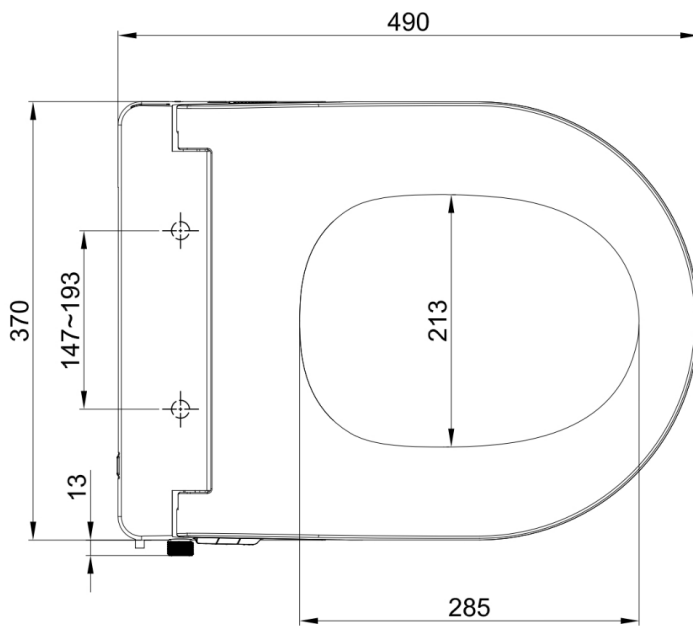
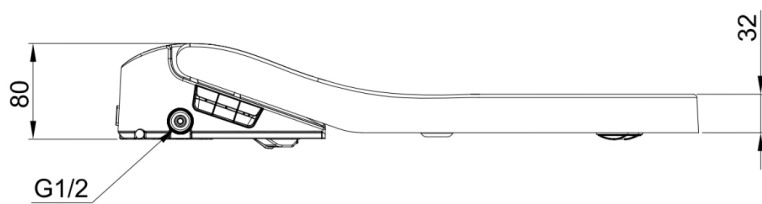
- This appliance is designed for fixed connection to the power supply. Connecting this appliance to the power supply must be performed by a qualified and authorised electrician.
- Incorrect repairs are dangerous. Repairs must only be carried out by trained and qualified engineers.
- The Supplier and Manufacturer are not responsible for any injury and/or damage caused by incorrect installation, maintenance or operation of the product.
- Do not force the soft-close bidet seat down as this may damage the mechanism.
- A defective appliance may cause an electric shock. Never switch on a defective appliance. The power must be disconnected before seeking assistance.
- This product is IPX4 rated, and so no part of the installation is allowed to be within bathroom Zones 0 or 1. Installation is permitted within Zone 2 and outside of the bathroom zones as long as it is not in a position where it is likely to be sprayed with water.
- All images in the manual are for illustration purposes only.

BATHROOM ZONES

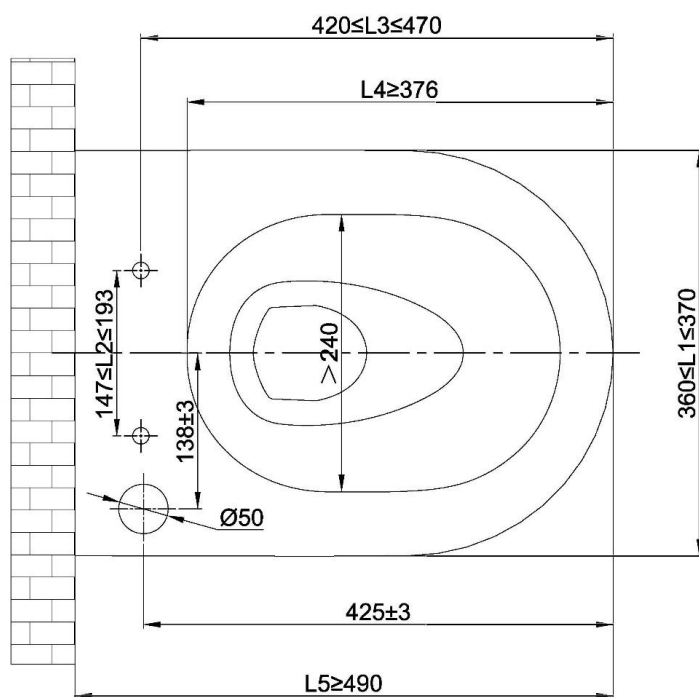
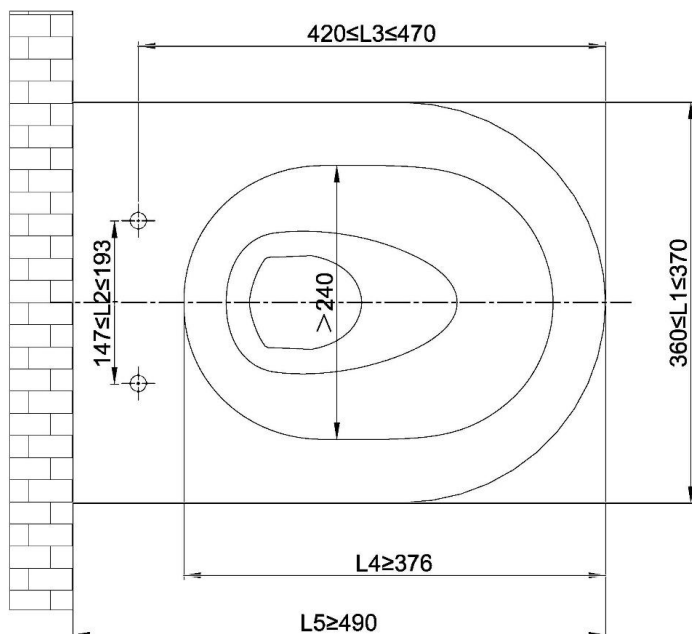


Zone 0:	The interior of the bathtub or shower basin.
Zone 1:	The area around the bathtub or shower basin up to a height of 2.25m above the floor
Zone 2:	The area stretching to 0.6m outside the bath or shower and above the bath or shower if over 2.25m

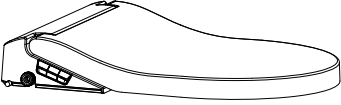
INSTALLATION DIAGRAMS - SEAT



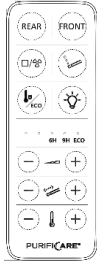
INSTALLATION DIAGRAMS – BIDET



PARTS LIST



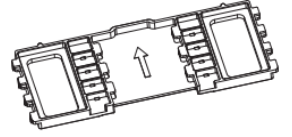
Seat



Remote
(Batteries Not Included)



Remote Control Holder



Fixing Plate



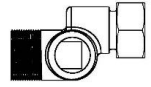
Expansion Screws



Adjustment Sheet



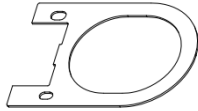
Water Hose



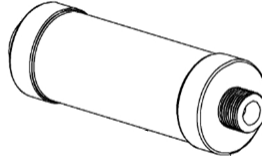
T Valve Connector



Electrical Cable Coupler



Installation
template



Filter

TOOLS REQUIRED

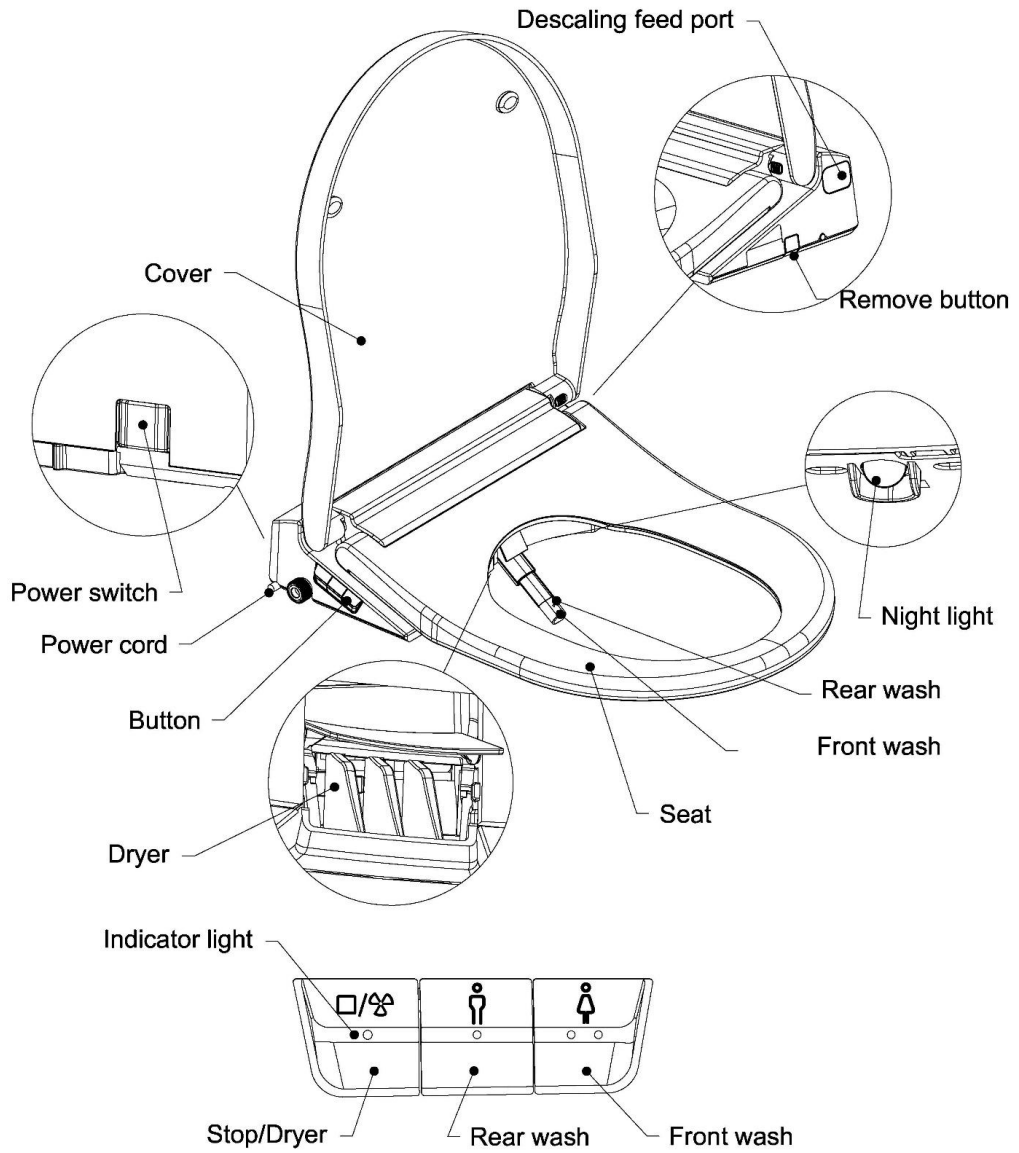


Phillips screwdriver



Adjustable Wrench

PRODUCT OVERVIEW



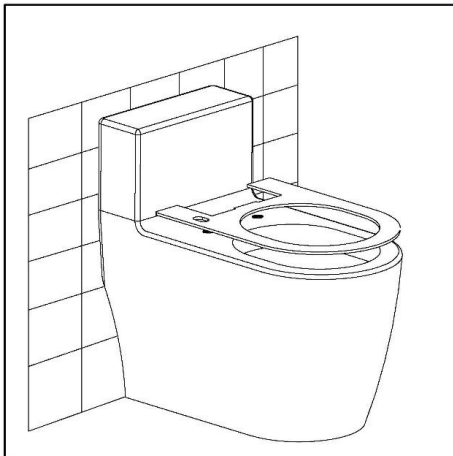
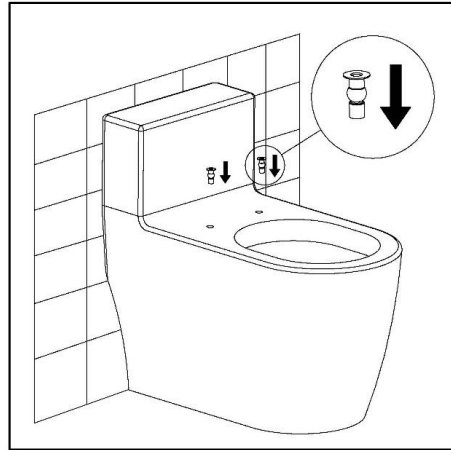
IMPORTANT!

Before commencing installation, the water and electrical supplies should be turned OFF.

INSTALLATION INSTRUCTIONS

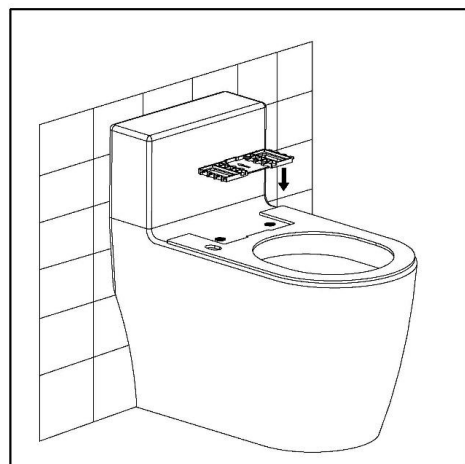
IMPORTANT: Ensure the water supply pressure is 0.07 MPa.

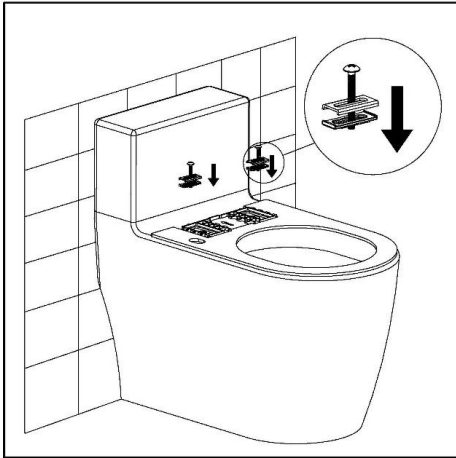
Insert the two expansion screws into the bidet bowl, as shown.



Place the installation template onto the bidet bowl.

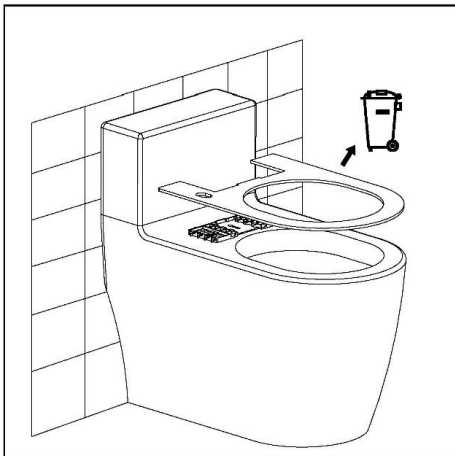
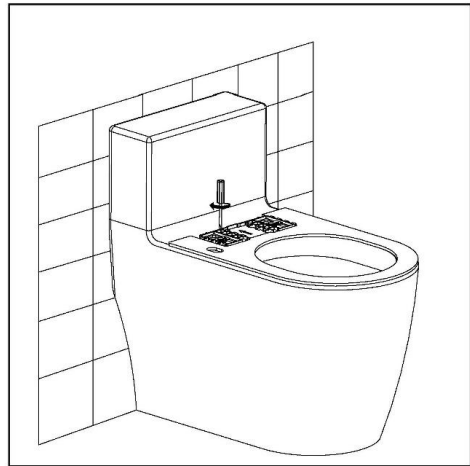
Insert the fixing plate onto the back of the bidet, using the installation template as a guide.



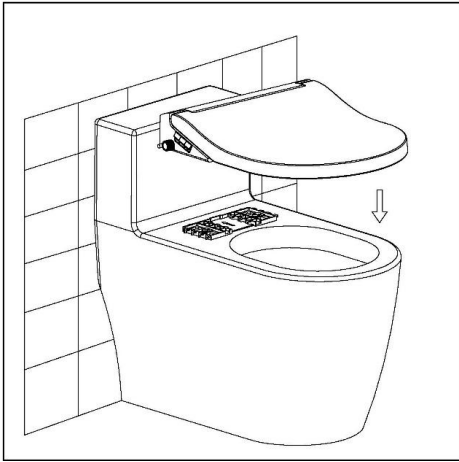


Install the adjustment sheets onto the fixing plate and the back of the bidet.

Secure the fixing plate onto the bidet bowl using the screws. Ensure it is secure before commencing.

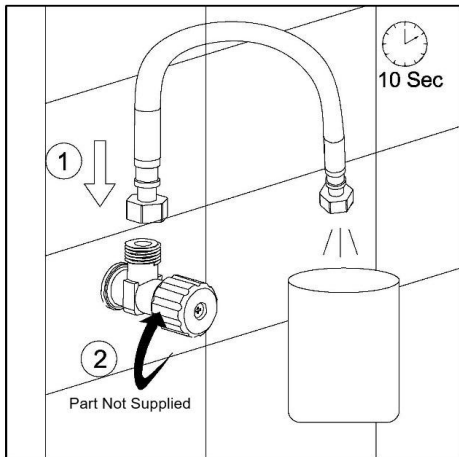
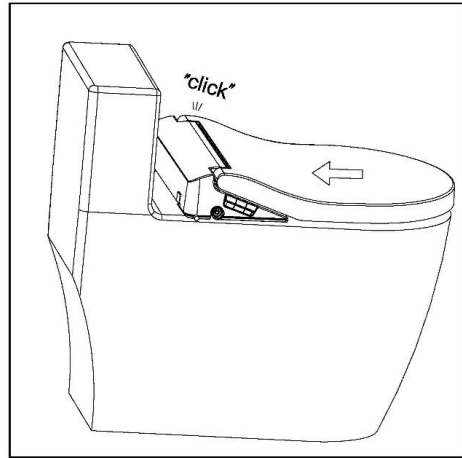


Remove and dispose of the installation template.



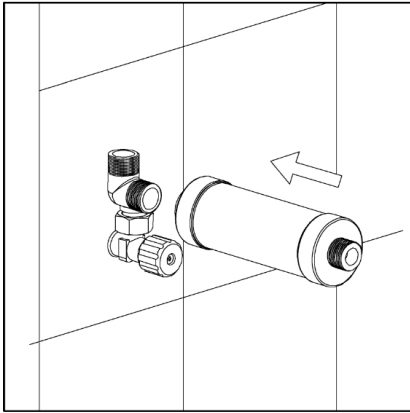
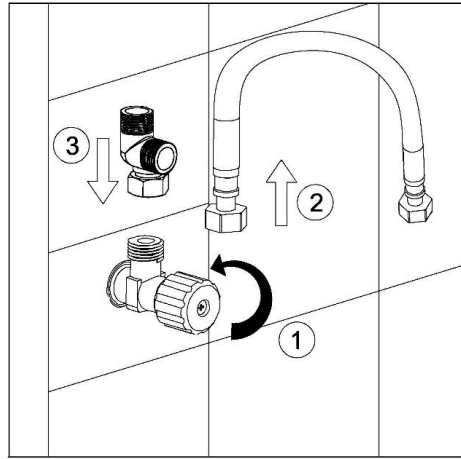
Place your intelligent seat onto your bidet bowl.

Gently push the seat onto the fixing plate until you hear a clicking sound.



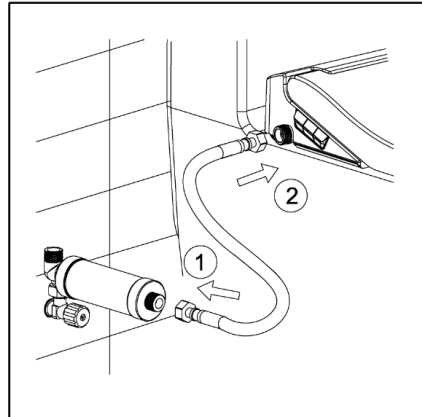
Disconnect any current cistern water hoses. Connect the water hose directly to your water mains first. Open the tap and let it run for 10 seconds to clear the pipe.

Disconnect the water hose, then connect the T-valve connector to your current water supply pipes. The seals are already integrated into the parts.



Attach the filter to the T valve.

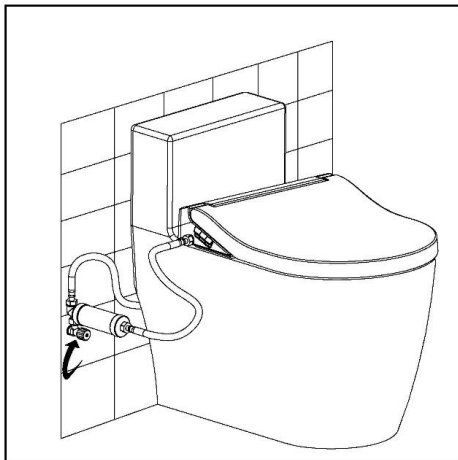
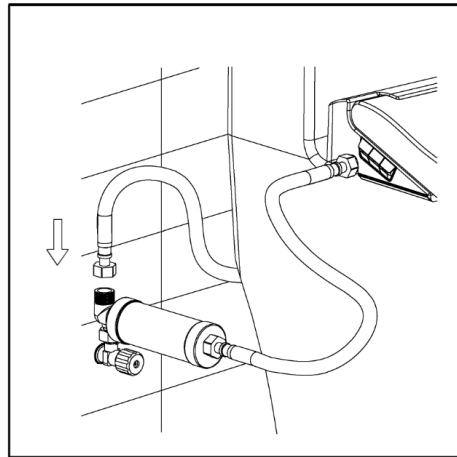
Attach the water hose to the filter and to the water hose connector on the side of the intelligent seat, as shown.



Connect your cistern's water hose to the T-valve.

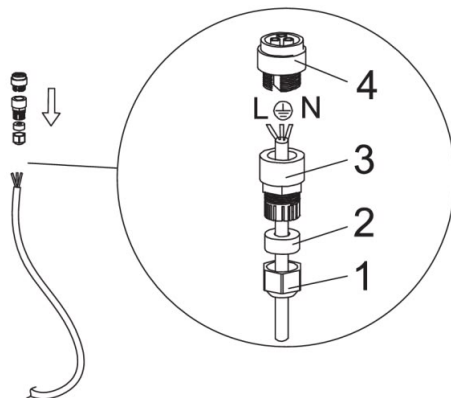
NOTE:

If the cistern is concealed within the wall and already has a separate water supply connected, the top outlet on the T-valve is not required. Your plumber should purchase and install the correct valve needed for the filter installation, without using a T-valve.

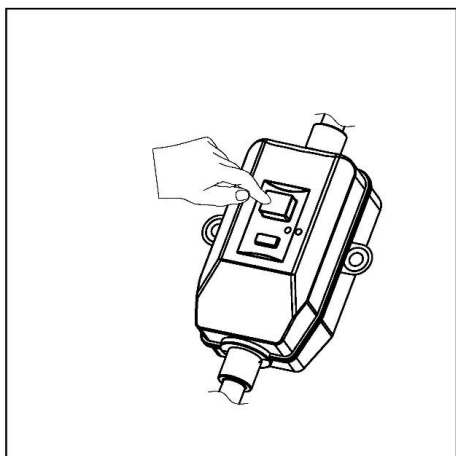
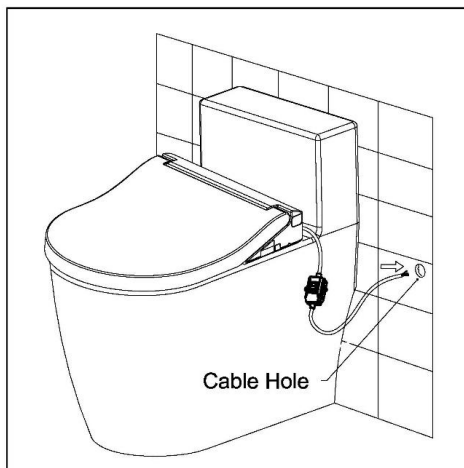


Turn on your water mains.

The cable coupler can be used to connect the seat power cable to the main supply line. Connect both cables securely into the coupler and tighten to maintain a waterproof seal.



Connect the cable to the mains supply. This may be via a suitably rated fused spur. The unit must be hardwired by a qualified electrician.

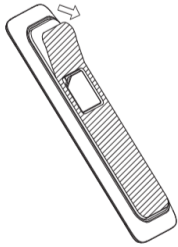
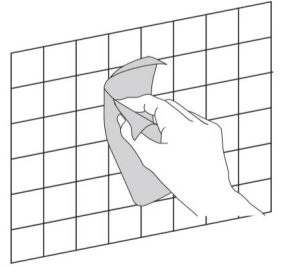


Once all connections are secure, refit the seat to the toilet. Switch on the bidet's power.

NOTE: When the device is turned on for the first time, it will conduct a self-check. During this process, the spray rod will extend, the drying air will activate, and the night light will illuminate. You will also hear a beeping sound.

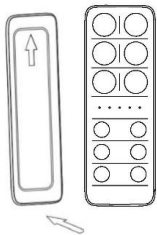
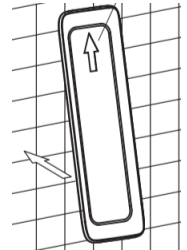
INSTALLATION OF THE REMOTE HOLDER

1. Clean the wall surface in the area in which the remote-control holder will be located.
2. Dry fully before attempting the installation using a soft cloth or paper towel.



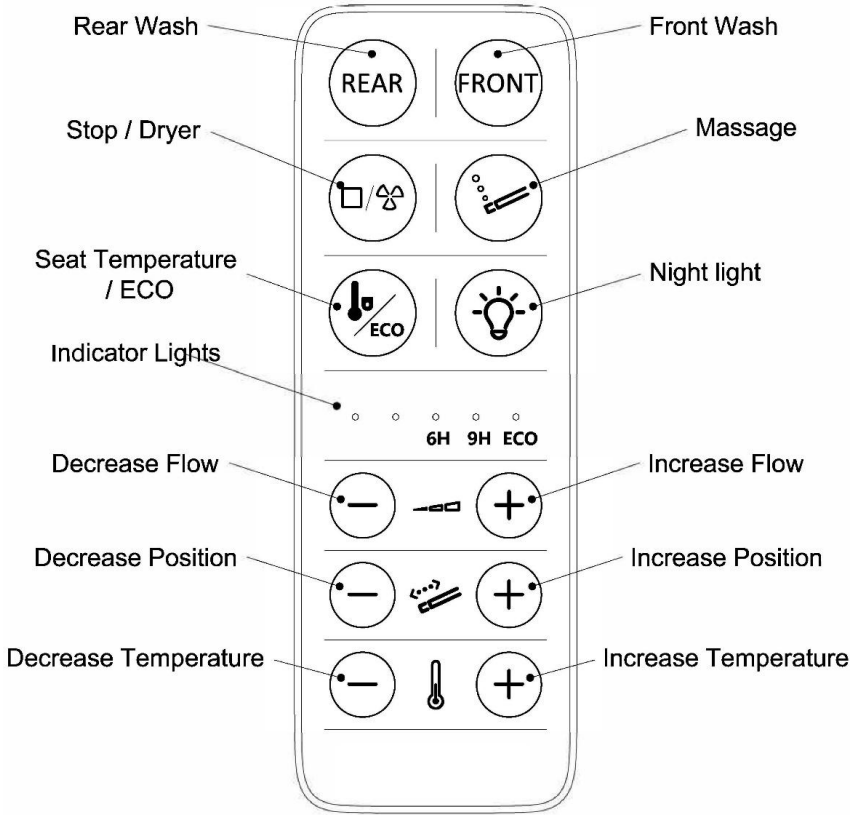
3. From the rear of the holder, peel off the adhesive strip cover.

4. Place the holder with the adhesive side against the wall, ensuring it is level. Press it firmly against the wall and hold for a couple of seconds.



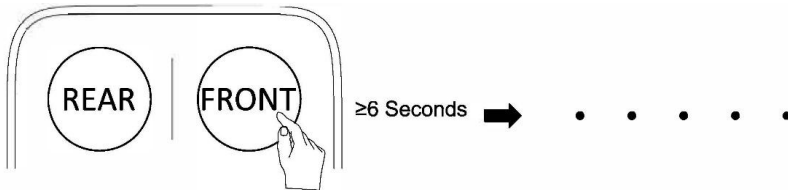
5. Once located and secured, place the remote control against the holder. The magnet in the holder will keep the remote in place.

REMOTE CONTROL

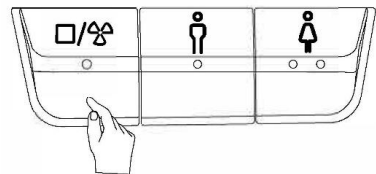


REMOTE CONTROL PAIRING

1. When the bidet is idle, press and hold the “Front Wash” button on the remote control for 6 seconds until all five LED lights turn on, then release.



2. Press the “Stop/Dry” button on the bidet. When a long beep sounds, the setting is complete.

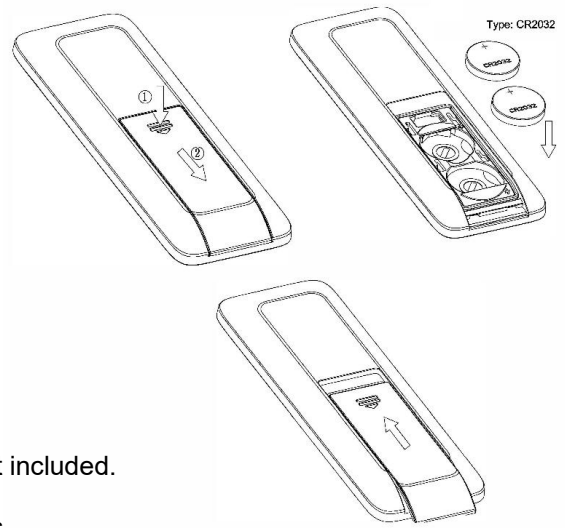


FITTING / REPLACING BATTERIES

- Different types of batteries or new and used batteries should not be mixed.
- Batteries should be inserted using the correct polarity.
- Exhausted batteries should be removed and disposed of safely.
- If the appliance is not to be used for a long period, batteries should be removed.

When the light flashes continuously, the batteries need to be replaced.

NOTE: Batteries are not included.
The remote requires
2 x 3v CR2032

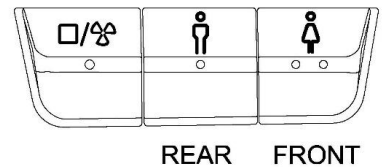
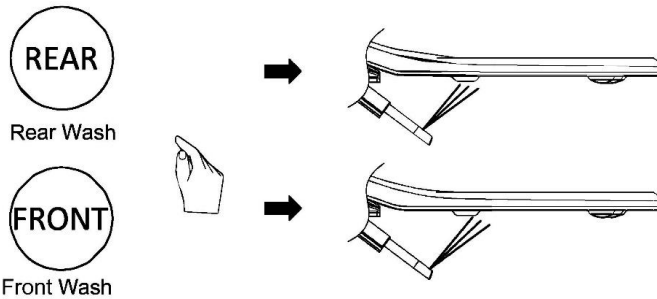


OPERATION

IMPORTANT: When the power is connected to the bidet, please wait 2-3 minutes before using it. It will need time to load.

REAR WASH/ FRONT WASH

While seated, press the rear wash or front wash button on the remote, and the bidet will begin wash mode. This will automatically stop after 3 minutes, or you can press 'Stop' on the remote or side buttons at any time to stop the wash.



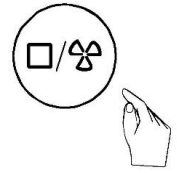
Alternatively, you can use the side buttons to operate both washes.

NOTE: The wash cycles through 3 modes.

1. When either function is activated by pressing the buttons, the nozzle first performs a self-cleaning process as it extends.
2. The wash cycle then proceeds for around 15 seconds at a fixed position. Then there will be about 15 seconds of a wash while the nozzle is moving.
3. Finally, the nozzle returns to the fixed position and continues washing until the cycle completes.

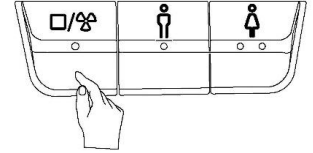
DRY OPERATION

Ensure no other functions are currently running. The dry function operates for 3 minutes.



- While seated, press the 'Dry' button on the remote control to start the drying function.
- You can stop the function at any time by pressing 'Stop'.

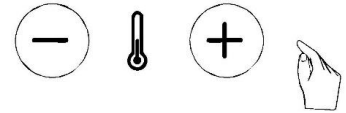
Alternatively, you can use the buttons on the seat.



- While seated, press the side button to start the drying function.
- You can stop it at any time by pressing the button again.

ADJUST AIR TEMPERATURE

- Whilst running the drying function, repeatedly press the increase or decrease buttons on the remote.

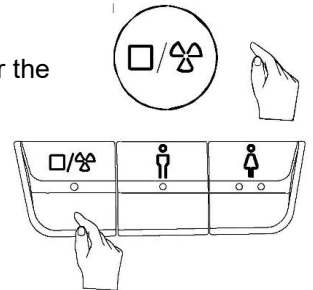


There are 5 temperature options, and the default is the 3rd.

- 1) 35 °C ±4 °C
- 2) 39 °C ±4 °C
- 3) 43 °C ±4 °C**
- 4) 47 °C ±4 °C
- 5) 50 °C ±4 °C

STOP OPERATION

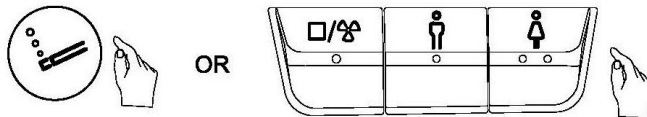
You can manually stop any function whilst it is running by pressing either the 'stop' button on the remote or the seat's 'stop' button.



MESSAGE OPERATION

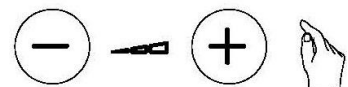
Whilst the front or rear wash is in progress, repeatedly press the 'Massage' button on the remote, or press the Rear and Front wash buttons on the seat simultaneously, until you reach your desired mode.

The mode cycle is: Normal, Oscillating, Pulsating and Oscillating and pulsating.



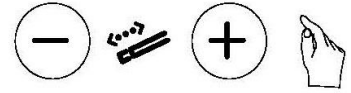
ADJUSTING WATER FLOW

Whilst running the Rear or Front wash. Press the increase or decrease buttons on the remote to adjust the flow rate.



ADJUSTING NOZZLE POSITION

Whilst running the Rear or Front wash. Press the increase or decrease buttons on the remote to adjust the nozzle position backwards or forward.

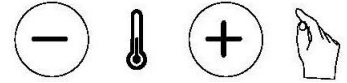


The Front & Rear wash function provides five washing settings. The corresponding spray nozzle extension lengths are:

Front	Rear
60 mm \pm 5 mm	70 mm \pm 5 mm
70 mm \pm 5 mm	80 mm \pm 5 mm
80 mm \pm 5 mm	90 mm \pm 5 mm
90 mm \pm 5 mm	100 mm \pm 5 mm
100 mm \pm 5 mm	110 mm \pm 5 mm

ADJUSTING WATER TEMPERATURE

Whilst running the Rear or Front wash. Press the temperature increase or decrease buttons on the remote to adjust the water temperature.



There are 5 temperature options, and the default is the 3rd.

- 1) 31 \pm 2°C
- 2) 33 \pm 2°C
- 3) **35 \pm 2°C**
- 4) 37 \pm 2°C
- 5) 38 \pm 2°C



ADJUSTING SEAT TEMPERATURE

Press the “Seat Temperature” button on the remote control to adjust the seat temperature.

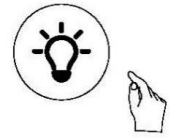
The seat is equipped with a scald-prevention feature.

This feature prevents the user from being scalded. If the user remains seated for more than 10 minutes, the seat temperature is automatically reduced and maintained at the lowest setting.

There are 5 temperature options, and the default is the 3rd.

- 1) 31 \pm 2°C
- 2) 33 \pm 2°C
- 3) **35 \pm 2°C**
- 4) 37 \pm 2°C
- 5) 39 \pm 2°C

LIGHT SETTINGS



The night light is set to Smart Mode by default.

Press “Night Light” on the remote control to change the mode.

Remote Control LED Modes

Modes	Remote control LED
Off Mode	•
Always On Mode	• •
Smart Mode	• • •

NOTE: Smart Mode means the night light will automatically turn on in a dark environment and turn off in a bright environment. If the room is sufficiently bright, the light will not switch on.

ENERGY SAVING MODE

Energy Saving Mode is switched off by default.

Intelligent Energy Saving Mode:

The product detects when it is idle. In this state, the seat temperature is set to the lowest.

Timed Energy Saving Mode:

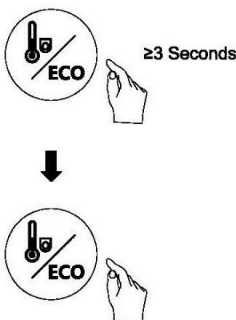
Set an unused time period of 6 or 9 hours, during which the seat will not be heated. The seat will automatically exit this mode after a period of 6 or 9 hours.

Intelligent + Timed Energy Saving Mode:

If both modes are enabled simultaneously, Intelligent Energy Saving Mode will continue to operate outside the scheduled energy-saving period.

- Press and hold the “ECO” button for 3 seconds to enter Energy Saving Mode.
- Briefly press the “ECO” button to switch between energy-saving modes.

Remote Control LED Modes



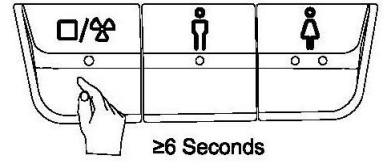
Remote control LEDs	Mode															
<table style="width: 100%; text-align: center;"> <tr> <td>○</td><td>○</td><td>○</td><td>○</td><td>○</td> </tr> <tr> <td></td><td></td><td>●</td><td></td><td></td> </tr> <tr> <td></td><td></td><td>6H</td><td>9H</td><td>ECO</td> </tr> </table>	○	○	○	○	○			●					6H	9H	ECO	OFF
○	○	○	○	○												
		●														
		6H	9H	ECO												
<table style="width: 100%; text-align: center;"> <tr> <td>○</td><td>○</td><td>●</td><td>○</td><td>○</td> </tr> <tr> <td></td><td></td><td>6H</td><td>9H</td><td>ECO</td> </tr> </table>	○	○	●	○	○			6H	9H	ECO	Time: 6H					
○	○	●	○	○												
		6H	9H	ECO												
<table style="width: 100%; text-align: center;"> <tr> <td>○</td><td>○</td><td>○</td><td>●</td><td>○</td> </tr> <tr> <td></td><td></td><td>6H</td><td>9H</td><td>ECO</td> </tr> </table>	○	○	○	●	○			6H	9H	ECO	Time: 9H					
○	○	○	●	○												
		6H	9H	ECO												
<table style="width: 100%; text-align: center;"> <tr> <td>○</td><td>○</td><td>○</td><td>○</td><td>●</td> </tr> <tr> <td></td><td></td><td>6H</td><td>9H</td><td>ECO</td> </tr> </table>	○	○	○	○	●			6H	9H	ECO	Intelligent					
○	○	○	○	●												
		6H	9H	ECO												
<table style="width: 100%; text-align: center;"> <tr> <td>○</td><td>○</td><td>●</td><td>○</td><td>●</td> </tr> <tr> <td></td><td></td><td>6H</td><td>9H</td><td>ECO</td> </tr> </table>	○	○	●	○	●			6H	9H	ECO	Intelligent + Time: 6H					
○	○	●	○	●												
		6H	9H	ECO												
<table style="width: 100%; text-align: center;"> <tr> <td>○</td><td>○</td><td>○</td><td>●</td><td>●</td> </tr> <tr> <td></td><td></td><td>6H</td><td>9H</td><td>ECO</td> </tr> </table>	○	○	○	●	●			6H	9H	ECO	Intelligent + Time: 9H					
○	○	○	●	●												
		6H	9H	ECO												

NOTE: In Energy Saving Mode, when a person is detected using the seat, it will automatically heat to the set temperature.

ENERGY SAVING STANDBY MODE

When the bidet is idle, press and hold the STOP/DRYER button for 6 seconds to enter Energy Standby Mode.

Press and hold the button again for 6 seconds to restart it.

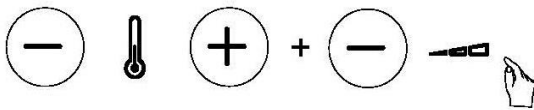


SOUND SETTINGS

The sound is on by default.

A beep will sound when the bidet receives commands or signals.

To change modes, press and hold the “Temperature Increase/Decrease” button, then press the “Decrease Water Flow” button.



Modes	Remote control LED
Off Mode	•
Always On Mode	• •

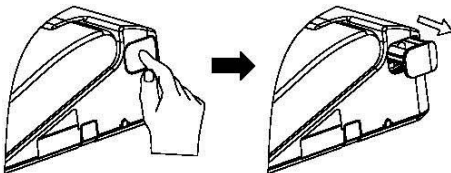
DESCALING THE DEVICE

Do not use descaling agents that can foam.

After 4 months of use, the button will flash blue to remind you to descale the bidet.

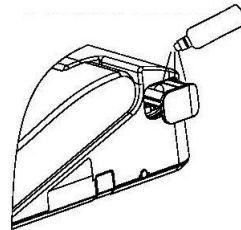
IMPORTANT: Aggressive descaling agents may cause damage to the device and may be harmful to the human body.

1. Press the side descaling compartment to open it.



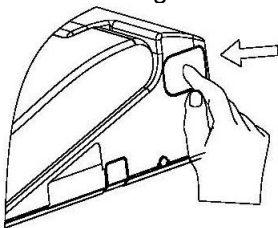
NOTE: When the switch is pressed, water will flow from the nozzle. Every 3 seconds, a sound will emit, indicating that you can now pour in the descaling agent.

2. Pour in the descaling agent (125 ml).



NOTE: If no action is taken within 3 minutes, the descaling function will be cancelled. To descale, you will need to restart the process from the beginning.

3. Close the descaling compartment to start descaling.



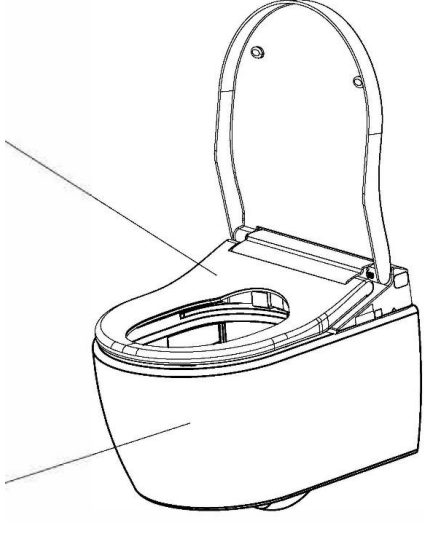
4. After the compartment is closed, the descaling process will begin automatically. The descaling cycle lasts approximately 15 minutes. During this time, the indicator on the side button will flash purple and will stop flashing once descaling is complete.

CLEANING AND MAINTENANCE

Daily	Remove water drops with a soft, lint-free cloth to avoid limescale build-up.
Weekly	Clean all surfaces and corners. Cleaning the spray nozzle is necessary (see Nozzle cleaning)
Monthly	Clean the ceramic with low-acidic cleaning agents.
Every 4 months	Descale the device. See “Descaling the device”.
Every 6 months	Replace the filter if required. (see replacing the filter)

NOTE: Do not use strong abrasive cleaning agents or materials, as this can damage the product and will invalidate your guarantee.

CLEANING AGENTS AND TOOLS

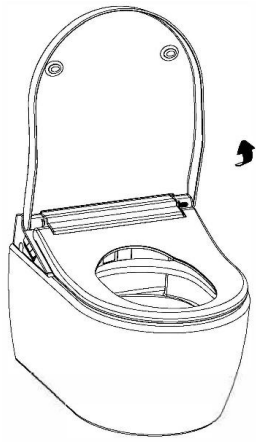
<p>For E-bidet</p> <ul style="list-style-type: none">• Soft cloths, lint-free cloths.• Mild cleaning agents that are gentle on the skin. <p>For a WC ceramic appliance.</p> <ul style="list-style-type: none">• Soft cloths, lint-free cloths• Low acidic cleaning agents (e.g. heavily diluted citric acid)• Toilet acid	
--	---

IMPORTANT:

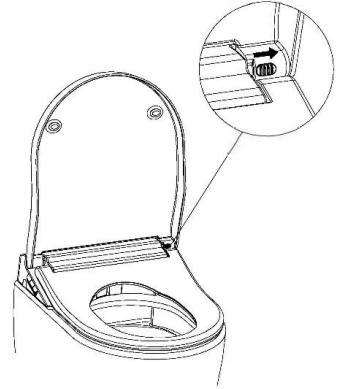
- Do not use cleaning agents containing strong acids or alkalis.
- To clean the e-bidet, do not use hard brushes, such as toilet brushes or nylon brushes.
- To clean the WC ceramic appliance, do not use metal brushes.
- Using aggressive descaling agents may cause damage to the device.

RELEASE AND INSTALL THE TOILET LID

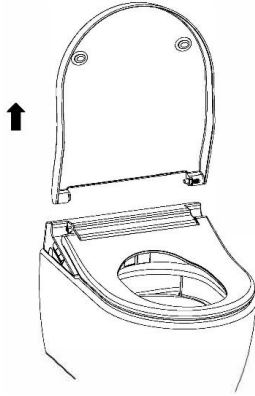
1. Open the lid.



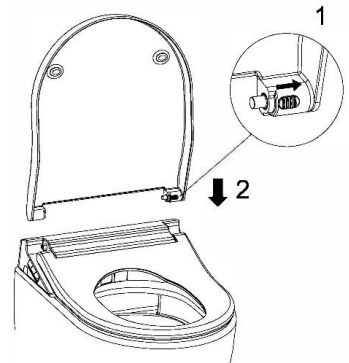
2. Locate the right-side hinge of the lid. Pull the hinge to the right until the lid releases.



3. Lift the lid upward to remove it.



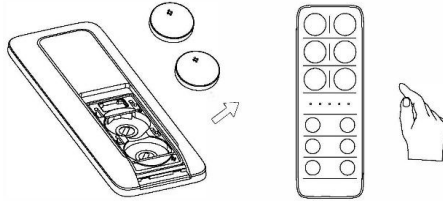
4. To reinstall: Repeat the steps above in reverse order, ensuring the hinge clicks securely into place.



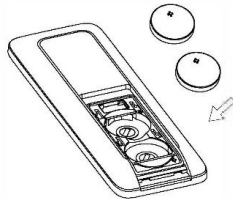
FACTORY RESET

When the bidet is idle:

1. Remove the batteries from the remote control. Press any button to discharge any remaining power.



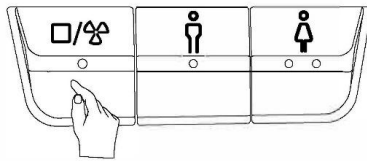
2. Reinstall the batteries. After the batteries are installed, all five indicator lights on the remote control will illuminate.



3. Press and hold the STOP button on the remote control. The indicator lights will turn on and then off in sequence. A beep will sound from the bidet, and the LED light on the side control panel will flash blue.



4. Press the STOP button on the side control panel. A beep will sound from the bidet to indicate that the factory reset is complete.



TANK SELF-CLEAN

If the product is not used for more than 72 hours, the next time it is used and the wash function is activated, the unit will perform a self-clean for approximately 3 minutes. All functions will be deactivated during this time.

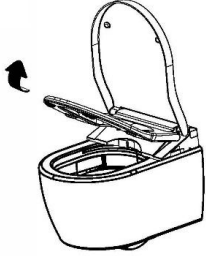
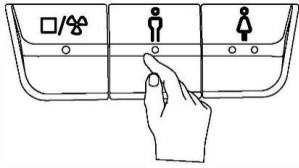
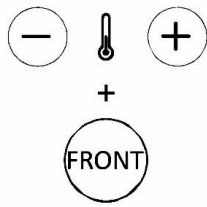
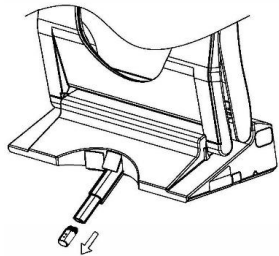
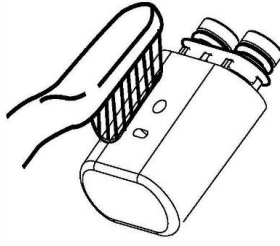
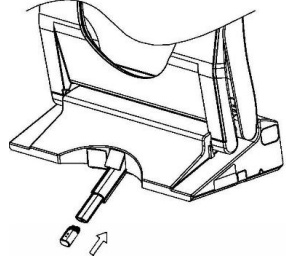
CLEANING THE NOZZLE

Automatic Cleaning

- The nozzle is automatically cleaned before and after each wash cycle.

Manual Cleaning

- To clean the nozzle manually, follow the steps below when the bidet is idle:

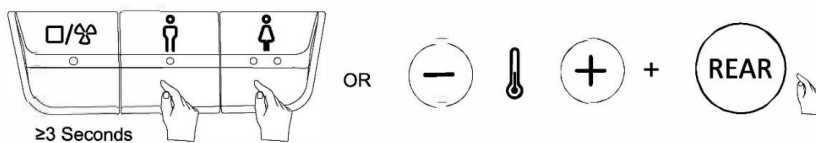
<p>1. Open the toilet seat and lid.</p> 	<p>2. Press and hold the "Rear Wash" button on the bidet for 3 seconds.</p>  <p>≥3 Seconds</p>	<p>3. Or press and hold "Decrease Temperature" or "Increase Temperature", then press "Female Wash".</p> <p>or</p> 
<p>4. The nozzle will extend, and water will flow.</p> 	<p>5. The nozzle head can be removed and cleaned manually.</p> 	<p>6. The nozzle will retract automatically after 5 minutes, or press the "Stop" button to retract the nozzle immediately.</p> 

DRAINING THE WATER TANK

AUTOMATIC DRAIN

When the bidet is idle:

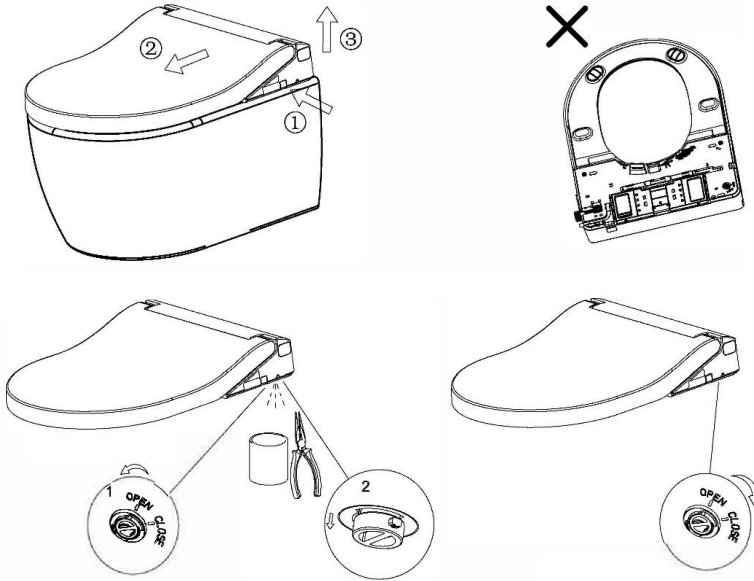
- Press and hold the "Rear Wash" and "Front Wash" buttons on the seat for 3 seconds,
- OR**
- Press and hold the "Decrease Temperature" or "Increase Temperature" button, then press "Rear Wash".



NOTE: The water tank will begin refilling 90 seconds after the draining process is complete.

MANUAL DRAIN

- The water and power must be turned off before you disassemble the toilet seat.
 - Do not invert or tilt it before you finish draining the water tank.
 - Once re-fitted, ensure to turn on the water supply and allow the tank to fill before operating any washing functions.
1. Using pliers, hold the plug on the tank. Turn the plug to OPEN, then pull it out. Water will start to drain.
 2. After draining is completed, insert the plug and turn to CLOSE.

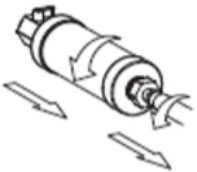


REPLACING THE FILTER

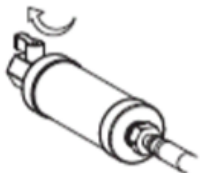
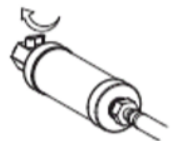
The filter has a 6-month service life and should be replaced to prevent flow reduction. This can be affected by water type, e.g., in hard-water areas.

To replace the filter, turn off the power and water supplies.

Turn the stop valve to the closed position.



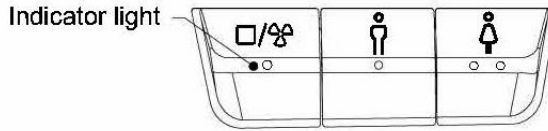
Disconnect the filter and replace it with the new part, ensuring to re-fit the seals.



Feed the pipes back into the bidet base, turn the power back on and reset the RCD. Re-open the stop valve. Re-fit the seat and secure it into position.



LED FAULT INDICATION



- Normal status: Blue light stays on.
- When seated: Purple light stays on.
- Descaling reminder: Blue light flashes.
- During descaling: Purple light flashes.
- Fault warning: Red light flashes (flashes a different number of times depending on the fault, see below).
- To clear most faults (except for high temperature issues): Press the "Dry/Stop" side button to stop the warning.

Fault	Flashing Times	Sound Warning	Solution
1. Power is abnormal	1	No	Re-power on and contact support if there is a fault.
2. The water coming out temperature is abnormal (>45°C)	2	Beeps constantly	<ol style="list-style-type: none"> 1. Until the water coming out temperature is lower than 45°C, press the side button "Dry/Stop" to release the warning. 2. Re-power on and contact the warranty provider if there is a fault.
3. Air temperature is abnormal (>55°C)	3	Beeps constantly	<ol style="list-style-type: none"> 1. Until the air temperature is lower than 45°C, press the side button "Dry/Stop" to release the warning. 2. Re-power on and contact the warranty provider if there is a fault.
4. Seat heating temperature is abnormal (>55°C)	4	No	<ol style="list-style-type: none"> 1. Until the seat heating temperature is lower than 45°C, press the side button "Dry/Stop" to release the warning. 2. Re-power on and contact the warranty provider if there is a fault.
5. Defect of dryer fan	5	No	Re-power on and contact the warranty provider if there is a fault.
6. Water takes longer than expected to enter the tank.	6	No	<ol style="list-style-type: none"> 1. Check whether the water pressure and flow rate of the inlet water pipe are normal. 2. Check whether the filter is blocked. 3. Press the side button "Dry/Stop" to release the warning and observe whether it is back to normal. 4. Re-power on and contact the warranty provider if there is a fault.

7. Water takes longer than expected to drain from the tank.	7	No	<ol style="list-style-type: none"> 1. Press the side button "Dry/Stop" to release the warning and observe whether it is back to normal. 2. Re-power on and contact the warranty provider if there is a fault.
8. Water coming in temperature (Temperature sensor) detection is abnormal	8	No	<ol style="list-style-type: none"> 1. Press the side button "Dry/Stop" to release the warning and observe whether it is back to normal. 2. Re-power on and contact the warranty provider if there is a fault.
9. The temperature detected by the water outlet sensor is abnormal.	8	No	<ol style="list-style-type: none"> 1. Press the side button "Dry/Stop" to release the warning and observe whether it is back to normal. 2. Re-power on and contact the warranty provider if there is a fault.
10. The temperature sensor is showing an abnormal air temperature reading.	8	No	<ol style="list-style-type: none"> 1. Press the side button "Dry/Stop" to release the warning and observe whether it is back to normal. 2. Re-power on and contact the warranty provider if there is a fault.
11. The seat heating temperature sensor is detecting an abnormal reading.	8	No	<ol style="list-style-type: none"> 1. Press the side button "Dry/Stop" to release the warning and observe whether it is back to normal. 2. Re-power on and contact the warranty provider if there is a fault.
12. Initialisation failure of the water tank	9	No	<ol style="list-style-type: none"> 1. Check whether the water pressure and flow rate of the inlet water pipe are normal. 2. Check whether the filter is blocked. 3. Re-power on and contact the warranty provider if there is a fault.

TROUBLESHOOTING

Problem	Potential cause	Suggested action
The washing function is not operating.	The power supply may not be connected	Ensure the power switch is in the on position and the RCD has been reset.
	The water supply may be disconnected.	Ensure the inlet water valve is open and that there is adequate water flow to the unit.
	The filter may be blocked.	Please replace the filter. It has a service life of approximately 6 months.
	Seat detector not activated.	Ensure the seat is occupied to activate the function.
	The bidet lid is closed.	Lift the bidet seat.
	Function not used for more than 72 hours.	The self-cleaning function will activate and take around 3 minutes. During self-cleaning, all buttons are disabled until the function completes.
	The seat assembly is not connected to the water supply.	Check that the seat assembly has a connected and flowing water supply, as the cistern filling does not supply water to the seat.



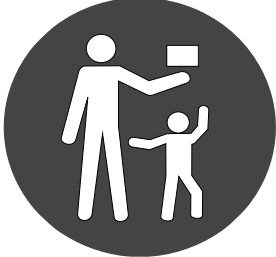
The washing function suddenly stops, and the nozzle retracts.	The washing cycle is 3 minutes. The nozzle will stop spraying after 3 minutes and then retract.	This is normal. Please press the "wash" button to start another wash cycle.
	Water supply interrupted	Please check if there is a water outage.
	The seat detector sensed that the user left the seat	Please adjust your sitting position
	The bidet lid is not fully open	Ensure the lid remains upright during the function.
Low water flow rate	The water flow rate may be set at low grades.	Please increase the flow rate as specified in the "adjusting water flow rate" section of the operating instructions.
	The water supply pressure may be too low	Please check and ensure the water supply pressure is 0.07Mpa
	The filter may be blocked.	Replace the filter. It has a service life of approximately half a year.
	The nozzle may be blocked.	Please replace the nozzle.
Low water temperature	The water temperature may be set to a low value.	Please set the water temperature to high grade as per the "adjusting temperature" of the operating instructions.
	The water supply temperature is too low.	Please set the water temperature at high grade as per "adjusting temperature" of operating instructions, or decrease the flow rate as per "adjusting water flow rate".
The nozzle comes out slowly.	When the washing function starts, the nozzle will be in self-cleaning mode before it is released.	This is normal
The water flows out, but the nozzle does not come out	The bidet has not been used for more than 72 hours	This is normal. If not used for more than 72 hours, the unit will start self-cleaning for about 3 minutes when it powers on.
The dryer cannot work.	The power supply may not be opened	Please turn on the power
	Not correctly seated	Please sit on the seat and adjust your sitting position.
	The cover is closed.	Please open the cover and sit on the seat.
Low air temperature	The air temperature may be set at low grades.	Please set the air temperature at a high grade as per the "adjusting temperature" of operating instructions
	The air heater is not working normally	Please contact the local distributor
The night light is always off.	Excessive ambient light.	When the night light is set to smart mode, the night light will not work when in the bright mode environment.
	The night light function may be closed.	Please open the night light function and set the night light mode to "Light Setting".
The night light is always on.	1. The environment is dark.	When the night light is set to smart mode, the night light will always be on when in a dark environment.

	2. Something may be covering the control dial.	Remove the obstructions around the control dial
	3. The night light may be set to 'Always On' mode	Please adjust the night light mode as per the "Light Setting" of the operating instructions
The nozzle goes back automatically when manual cleaning	1. The nozzle goes back after washing for 5 minutes	This is normal
	2. Press the "stop" button	Manual cleaning will be stopped if you press the control dial or press the "stop" button on the remote control.
	3. The seat detector senses that the seat is closing	Please do not put down the seat during manual cleaning
The remote control is not functioning	1. There are no batteries in the remote control	Please install the correct batteries in the remote control
	2. Maybe the battery power is too low	When batteries are low, the LED will flash. Change the batteries
	3. Maybe the code of the bidet and remote control is not the same	Please set the code of the remote control to the correct one. See "Remote Control Synch"
There are BEEP sounds when the bidet is operating	There is a short BEEP when you are sitting down, and a long BEEP when you leave. Also, there is a short BEEP when the bidet has received commands.	This is normal. You can turn off the sound. See "Sound Setting"
The bidet does not function normally.	Abnormal operation	Please shut off the power and turn it on after one minute. If the bidet still cannot work, please contact support.
The light around the control dial flashes twice with constant BEEP	The water supply temperature may be too high	Please shut off the power and water supply, stop using the product, and then contact support.
The light around the control dial keeps flashing	There may be something wrong with the product	Please shut off the power and water supply, stop using the product, and then contact support.

If you should encounter an issue with the operation/function of your product, please contact BID Customer Service.

To assist in the resolution, we will require your Serial number, a video of the issue, including operation of the remote or dial, position of the seat, a video of the side control and sound to indicate any beeps which occur. This will give a full picture of the operation to help determine the best resolution or guidance.

BATTERY WARNINGS

 	<p>BATTERY WARNING</p> <p>KEEP OUT OF REACH OF CHILDREN Swallowing can lead to chemical burns, perforation of soft tissue, and death. Severe burns can occur within 2 hours of ingestion. Seek medical attention immediately.</p>	
<p>If the battery compartment (if applicable) does not close securely, stop using the product and keep it away from children. If you think batteries might have been swallowed, or placed inside any part of the body, seek immediate medical attention</p>		
<p>THERE MAY BE NO OBVIOUS SYMPTOMS OF BATTERY INGESTION</p>		
<p>Unfortunately, it is not obvious when a button or coin battery is stuck in a child's oesophagus (food pipe). There are no specific symptoms associated with this. The child might:</p> <ul style="list-style-type: none"> • Cough, gag or drool a lot; • Appear to have a stomach upset or a virus; • Be sick; • Point to their throat or stomach; • Have a pain in their abdomen, chest or throat; • Be tired or lethargic; • Be quieter or more clingy than usual or otherwise "not themselves"; • Lose their appetite or have a reduced appetite; and • Not want to eat solid food / be unable to eat solid food. <p>These sorts of symptoms vary or fluctuate, with the pain increasing and then subsiding.</p> <p>A specific symptom to button and coin battery ingestion is vomiting fresh (bright red) blood. If the child does this seek immediate medical help.</p> <p>The lack of clear symptoms is why it is important to be vigilant with "flat" or spare button or coin batteries in the home and the products that contain them.</p>		

SUPPORT



Recycling facilities are now available for all customers at which you can deposit your old electrical products. Customers will be able to take any old electrical equipment to participating sites run by their local councils. Please remember that this equipment will be further handled during the recycling process, so please be considerate when depositing your equipment. Please contact the local council for details of your local household waste recycling centers.

At the time of printing the product contains no substances listed within Annex XIV of the Reach Regulations (EC) 1907/2006. In accordance with Article 59 of the same regulation the following substances are contained within the product at permitted levels: Lead & Cadmium.

As a responsible manufacturer the regulations are monitored to ensure continued compliance. Further information can be provided upon request.

For more information

- visit betterbathrooms.com
- email customerservices@buyitdirect.co.uk
- call 0330 390 3062
- write to Trident Business Park, Neptune Way, Huddersfield, HD2 1UA

better 
bathrooms

Part of the BuyItDirect Group

TECHNICAL SPECIFICATIONS

MODEL		E580HSEAT
Wash	Rear Wash	●
	Front Wash	●
	Oscillating Spray	●
	Pulsating Spray	●
	Oscillating and Pulsating Spray	●
	Adjustable Water Temperature	OFF/5 Steps (Default 3rd)
	Adjustable Flow Rate	5 Steps (Default 3rd)
	Adjustable Spray Position	5 Steps (Default 3rd)
Warm Air	Air Drying	●
	Adjustable Dryer Temperature	5 Steps (Default 3rd)
Heated seat	Heated seat	●
	Adjustable seat temperature	●
Hygiene	Descaling	●
	Nozzle self-cleaning	●
	Nozzle manually cleaning	●
Other function	Night light	●
	Soft Closing Seat and Cover	●
	Quick release seat and cover	●
	Body keys	●
	Remote control	●
	Power saving	●
Water Supply Connector		G 1/2
Rated Voltage		AC220-240V, 50/60HZ
Rated power consumption		1020W
Maximum power consumption		1650W
Length of Power Cord		1.8m
Water Supply Pressure		0.07~0.75MPa
Water Supply Temperature		4~35°C
Ambient Temperature		4~40°C
Protection Degree		IPX4
Wash Device	Flow Rate	480~600mL/min
	Water Temperature	31~38°C
	Wash Cycle Time	3 Minutes
	Heating Model	Instant water heating
	Maximum Heater Power	1600W
	Safety Device	Liquid Level Switch\Thermostat
	Backflow Prevention	Air Gap
Dry Device	Speed Of Air	≥4m/S
	Dryer Power	250W
	Dry Cycle Time	3 Minutes
	Warm Air Temperature	OFF/35~50°C
	Safety Device	Thermal Cutoff Fuses\Thermostat
	Adjustable seat temperature	Off/31~39°C
	Maximum heater power	50W
	Safety device	Temperature sensor\Thermal Cutoff Fuses\Thermostat
Remote Control	Frequency Range	2460MHz
	Maximum RF Output Power	-10dBm
	Type of batteries	3V CR2032
	Number of batteries	Two pieces
Other safety device		Residual Current Devices
Net Weight/Gross Weight		4.3kg/ 5.7kg
Dimensions		490x370x80mm

EU DECLARATION OF CONFORMITY

Company Name: Postal Buy It Direct,
Address: The Black Church
St Mary's Place
Postcode: Dublin 7
Telephone Number: 012552070
E-mail Address: Compliance@BuyItDirect.co.uk

This declaration of conformity is issued under our sole responsibility and belongs to the following product:

Type of Product: Intelligent Bidet
Model Number: E580HSEAT
Brand: Better Bathrooms
Object of Declaration: E580HSEAT - Intelligent Bidet Seat With Heated Function - Purificare

The object of the declaration described above is in conformity with the relevant designated standards:
The Restriction of the Use of Certain Hazardous Substances in Electrical and Electronic Equipment Regulations 2012
The Radio Equipment Regulations 2017

Relevant harmonised standards used or other technical specifications in relation to which conformity is declared:

RED	EN IEC 55014-1:2021	EN 300 440 V2.1.1:2017
	EN IEC 55014-2:2021	EN 50663:2017
	EN IEC 61000-3-2:2019/A2:2024	EN 62479:2010
	EN 61000-3-3:2013/A2:2021	EN 60335-1:2012/A16:2023
	EN 301 489-1 V2.2.3:2019	EN IEC 60335-2-84:2021/A12:2023
	EN 301 489-3 V2.3.2:2023	EN 62233:2008
LVD	IEC 60335_2_84J	
EMC	EN 300 440 V2.1.1 (2017-03)	EN 62479:2010
	EN 50663:2017	
RoHS	Inc Amendment 2015/863	

Authorised Signature



Richard Leach
Compliance and Quality Manager

30th January

UK DECLARATION OF CONFORMITY

Buy It Direct
Company Name: Postal Trident Business Park, Leeds Road,
Address:
HD21UA
Postcode 0871 620 1057
Telephone Number Compliance@BuyItDirect.co.uk
E-mail Address

This declaration of conformity is issued under our sole responsibility and belongs to the following product:

Type of Product: Intelligent Bidet
Model Number: E580HSEAT
Brand: Better Bathrooms
Object of Declaration: E580HSEAT - Intelligent Bidet Seat With Heated Function - Purificare

The object of the declaration described above is in conformity with the relevant designated standards:
The Restriction of the Use of Certain Hazardous Substances in Electrical and Electronic Equipment Regulations 2012
The Radio Equipment Regulations 2017

Relevant harmonised standards used or other technical specifications in relation to which conformity is declared:

RED	EN IEC 55014-1:2021	EN 300 440 V2.1.1:2017
	EN IEC 55014-2:2021	EN 50663:2017
	EN IEC 61000-3-2:2019/A2:2024	EN 62479:2010
	EN 61000-3-3:2013/A2:2021	EN 60335-1:2012/A16:2023
	EN 301 489-1 V2.2.3:2019	EN IEC 60335-2-84:2021/A12:2023
	EN 301 489-3 V2.3.2:2023	EN 62233:2008
LVD	IEC 60335_2_84J	
EMC	EN 300 440 V2.1.1 (2017-03)	EN 62479:2010
	EN 50663:2017	
RoHS	Inc Amendment 2015/863	

Authorised Signature



Richard Leach
Compliance and Quality Manager

30th January

